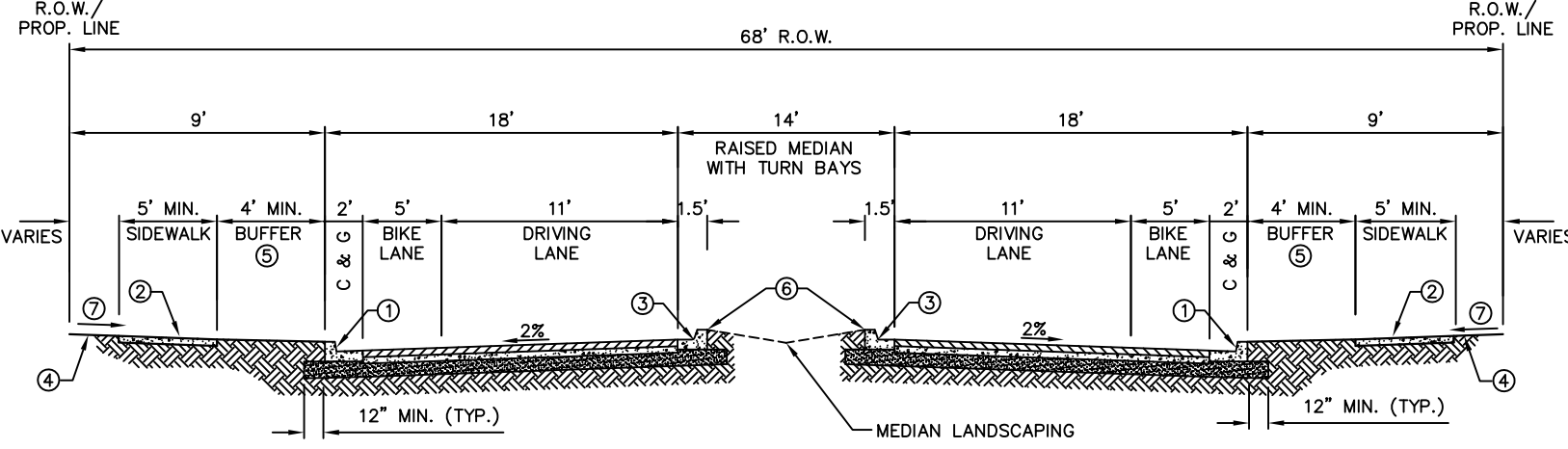


GENERAL NOTES:

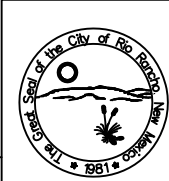
1. ALL WORK IN PUBLIC RIGHT-OF-WAY SHALL BE CONSTRUCTED BY A LICENSED CONTRACTOR AND REQUIRES A PERMIT AND APPROVAL BY THE CITY.
2. PAVEMENT SECTION IN ACCORDANCE WITH STANDARD DRAWING OR APPROVED PAVEMENT DESIGN PER PS-01.

KEYED NOTES:

- ① 8" CURB & GUTTER. SEE DWG. CG-01.
- ② 4" THICK CONCRETE SIDEWALK. SEE DWG. DW-02.
- ③ MEDIAN CURB & GUTTER, SEE DWG. CG-01.
- ④ WHERE ROW/PROP. WALL EXISTS OR IS PLANNED, SIDEWALK SHALL BE SETBACK A MINIMUM OF 1' FROM THE FACE OF WALL. AN APPROVED WEED FREE SURFACE SHALL BE PROVIDED WITHIN THE 1' SETBACK AREA. ACCEPTABLE WEED FREE SURFACES INCLUDE:
 - a. 4" THICK CONCRETE (WIDENED SIDEWALK)
 - b. GROUTED CONC., BRICK, OR STONE PAVERS (TYPE TO BE APPROVED BY THE CITY)
 - c. 4" THICK COMPACTED CRUSHER FINES WITH WEED BARRIER FABRIC. COMPACTED WITH HAND ROLLER.
- ⑤ BUFFER. SEE DWG. BF-01
- ⑥ CONTINUOUS TWO-WAY LEFT TURN LANE MAY BE SUBSTITUTED WITH APPROVAL BY THE CITY.
- ⑦ 1.5% RECOMMENDED, 2% MAXIMUM SLOPE



TYPICAL STREET SECTION - COLLECTOR STREET



City of Rio Rancho
Department of Public Works

TYPICAL STREET SECTION
COLLECTOR STREET

DATE MODIFIED: MAY 4, 2015

DWG. NO. TS-02

SEPT 23, 2008